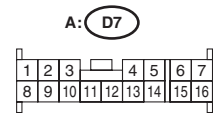
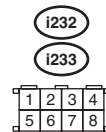
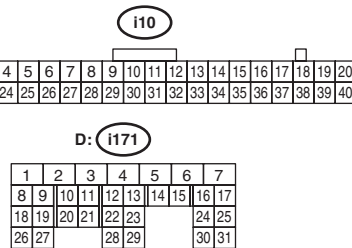
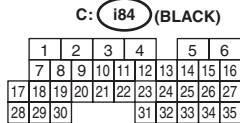
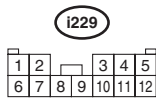
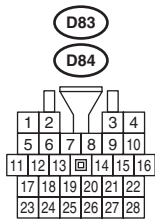
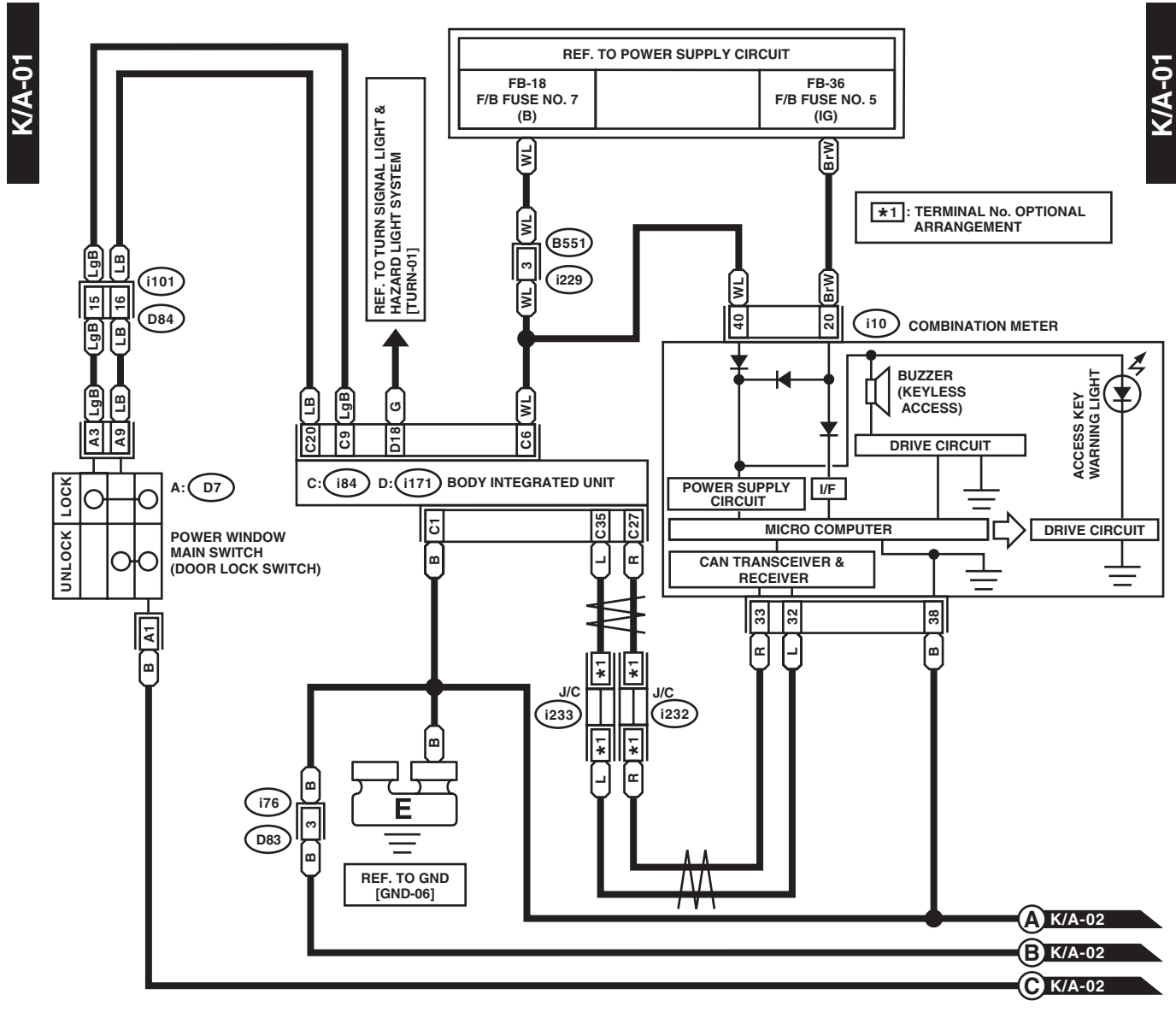


Keyless Access System

WIRING SYSTEM

29. Keyless Access System

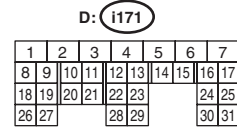
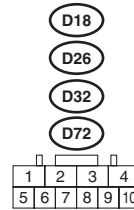
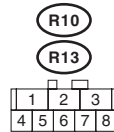
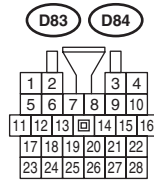
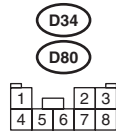
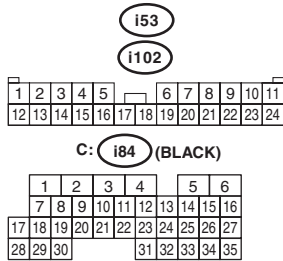
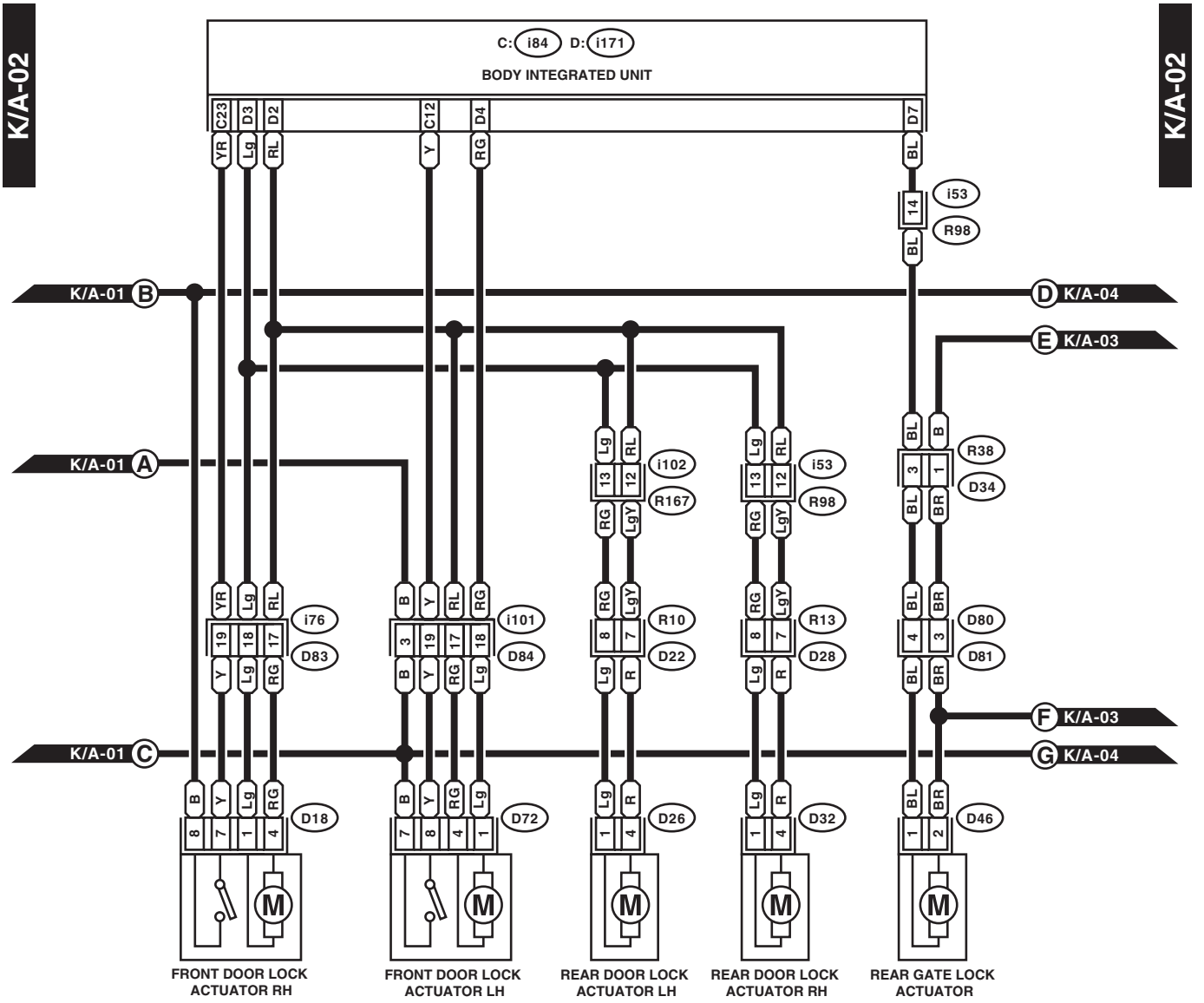
A: WIRING DIAGRAM



WI-48101

Keyless Access System

WIRING SYSTEM



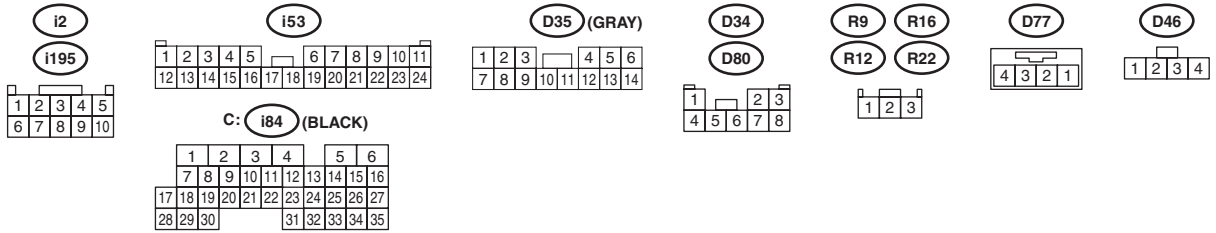
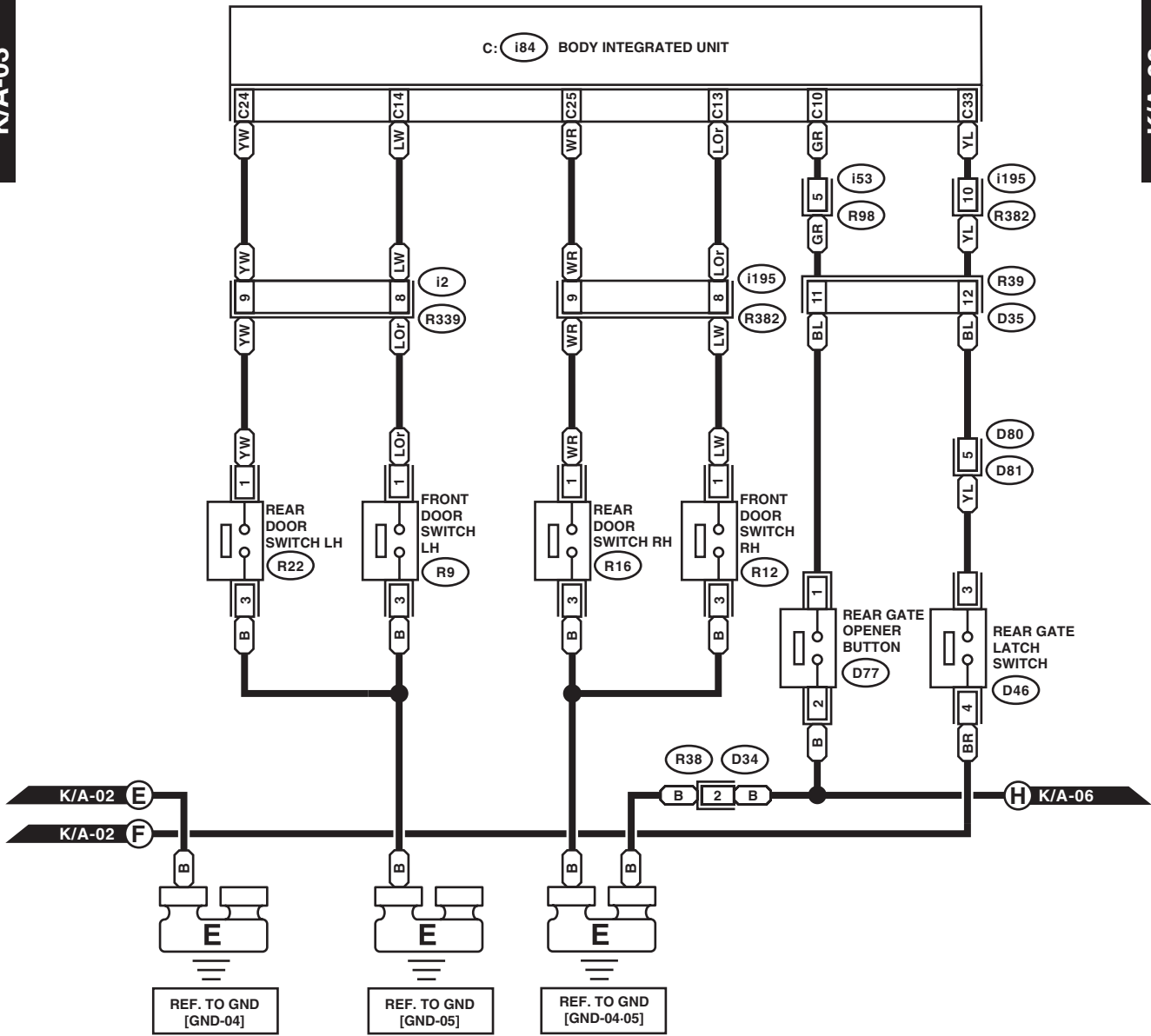
WI-48102

Keyless Access System

WIRING SYSTEM

K/A-03

K/A-03



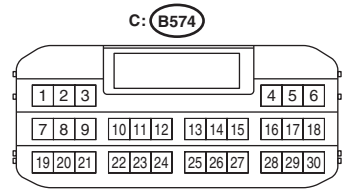
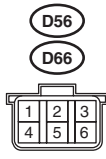
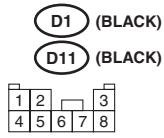
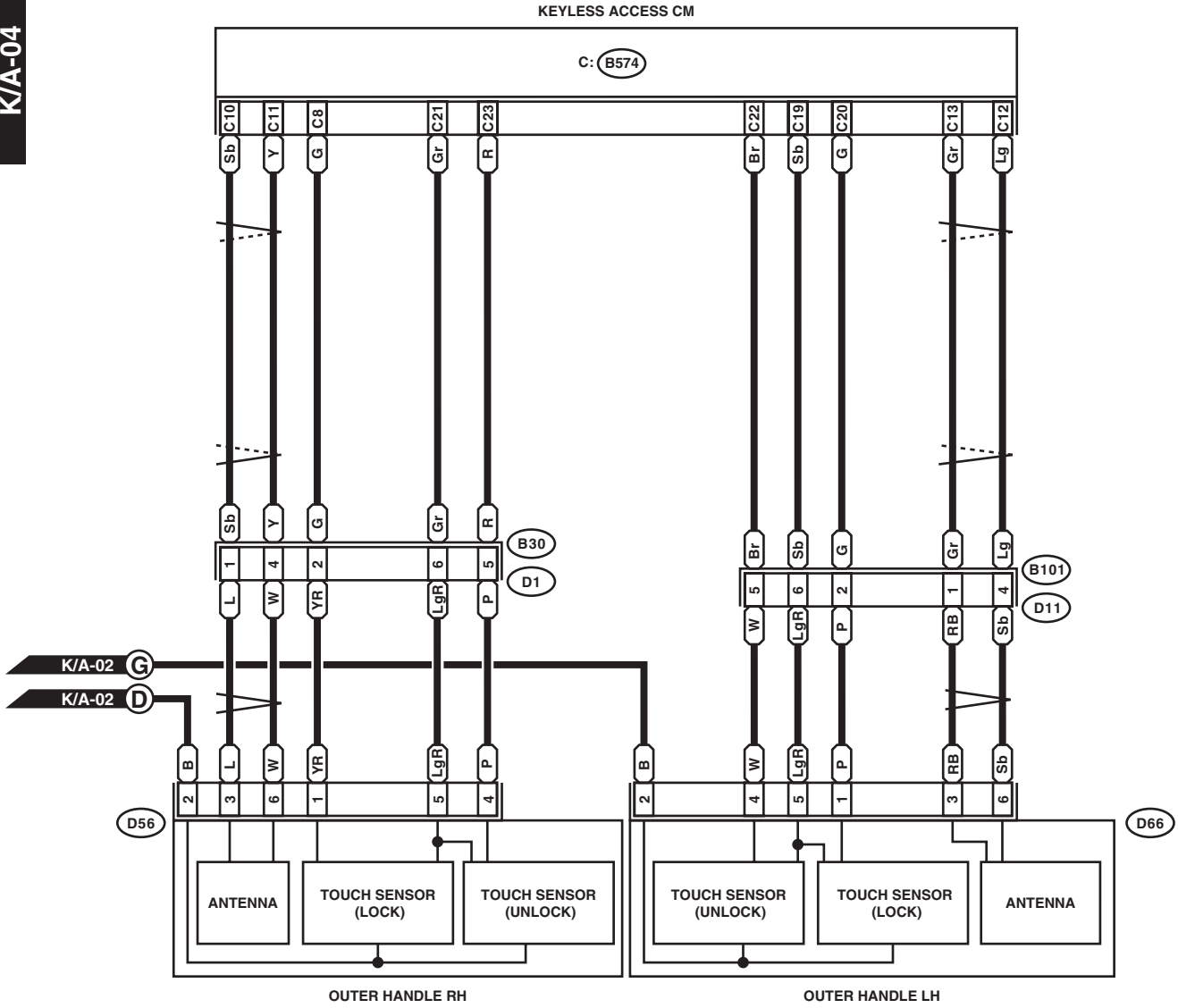
WI-42237

Keyless Access System

WIRING SYSTEM

K/A-04

K/A-04



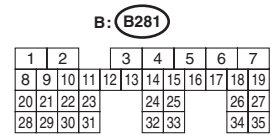
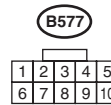
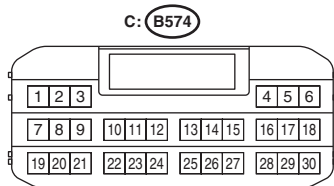
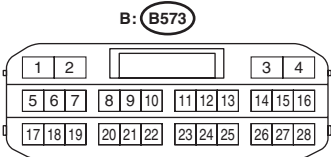
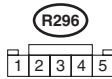
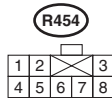
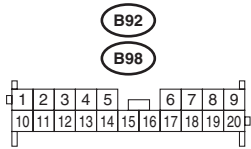
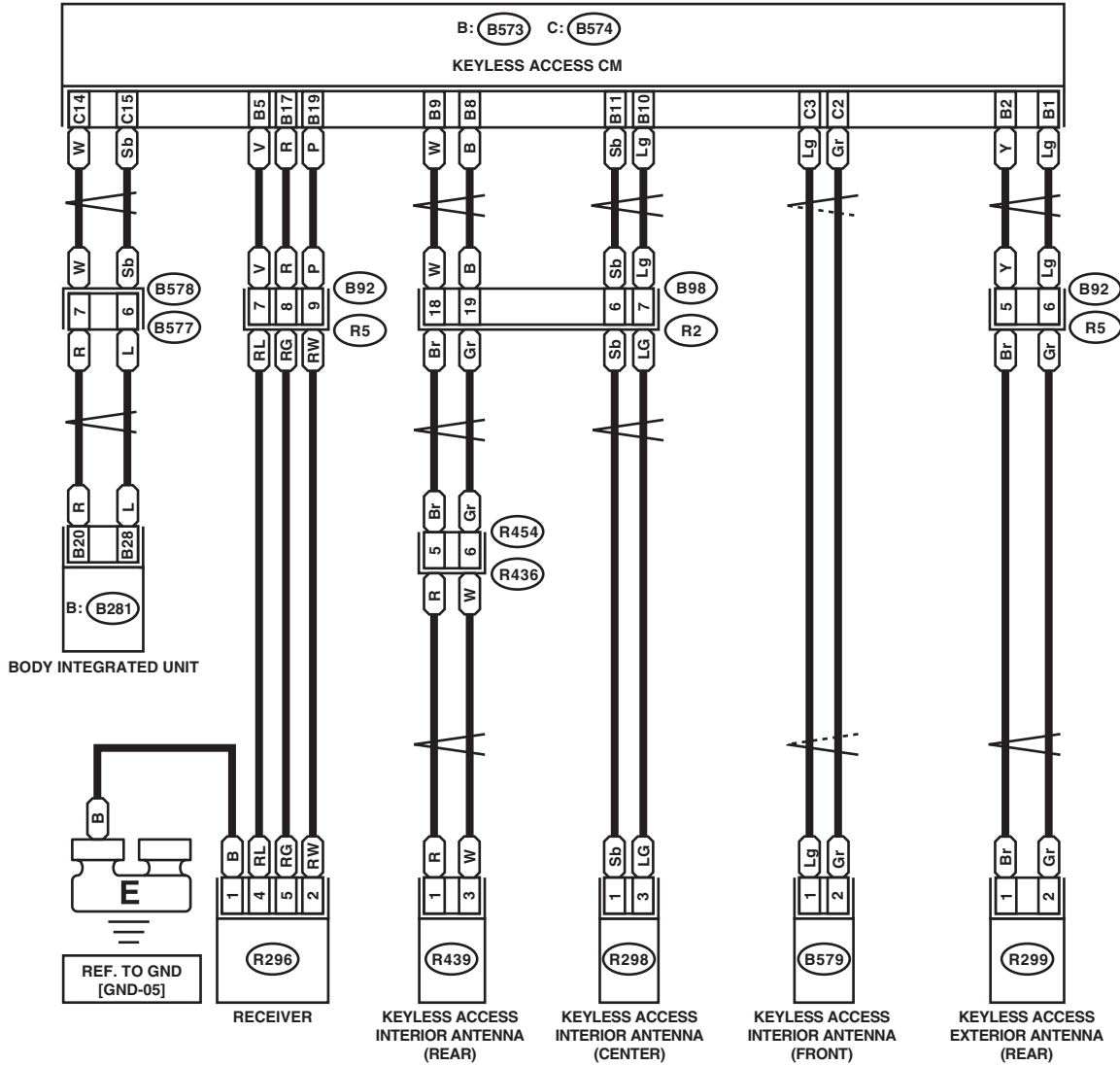
WI-48103

Keyless Access System

WIRING SYSTEM

K/A-05

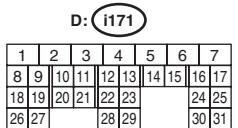
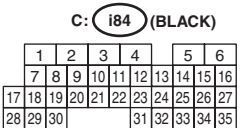
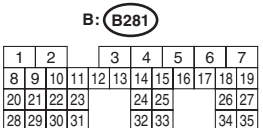
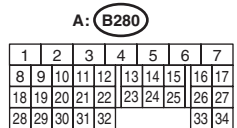
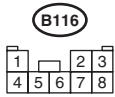
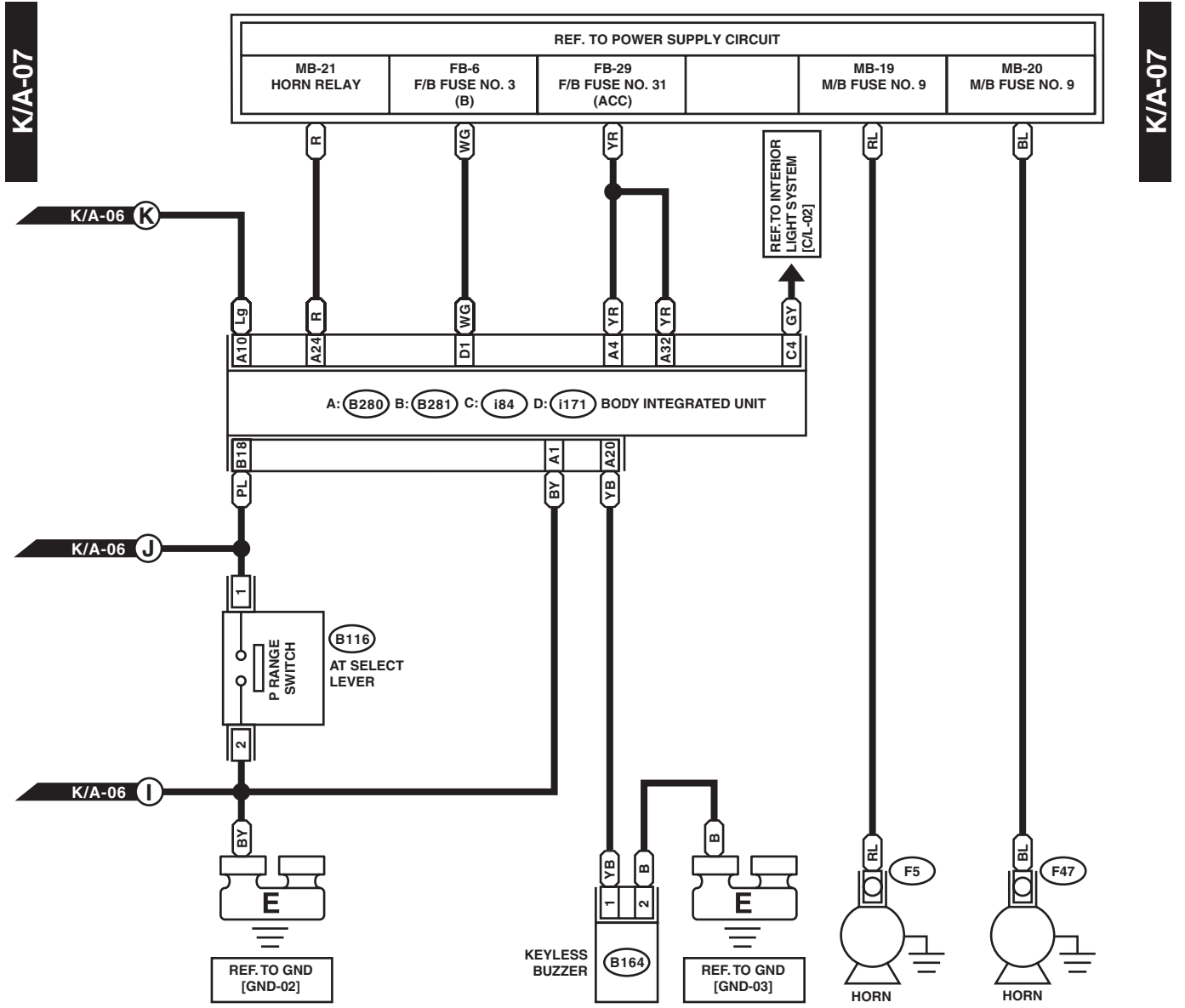
K/A-05



WI-48104

Keyless Access System

WIRING SYSTEM



WI-48106